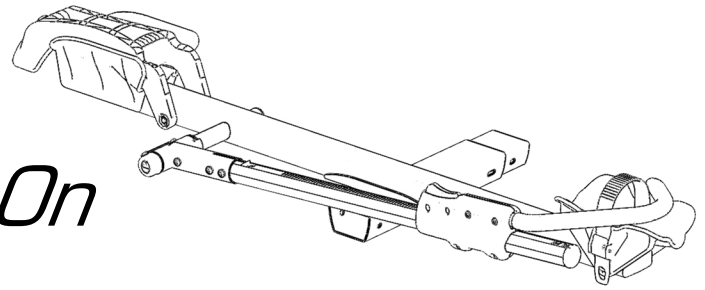




rockymounts™

MonoRail Add-On



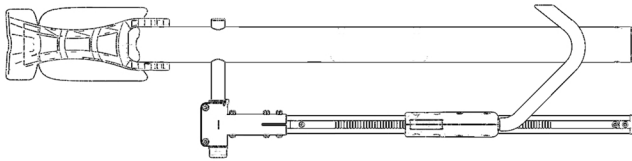
Guidelines

Max weight per bicycle: 40lbs (18kg) [120 lbs (54kg) total].
Wheel Size: compatible with 20-29" wheels.
Tire size: fits up to 5.0" tires.
Max wheel base: 48" (122cm).
Remove front fenders, racks, and panniers before use.
No kick bikes, recumbents, mopeds, scooters, pennyfarthings, or tandems.
Only compatible with RockyMounts™ 2" MonoRail.
Not compatible with 1-1/4" MonoRail or BackStage.

Parts Included

A: Wheel Tray
B: Wheel Strap
C: Wheel Strap Extension
D: Wheel Cup

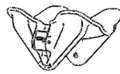
E: Add-On Base
F: M8x90 BHCS Bolt
G: M8x16 BHCS Bolt
H: M8 Flat Washer
I: M8 Split Washer
J: 6mm Allen Wrench



A (1x)



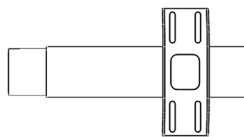
B (1x)



D (1x)



C (1x)



E (1x)



F (1x)



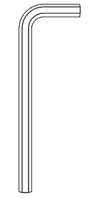
G (6x)



H (7x)



I (4x)

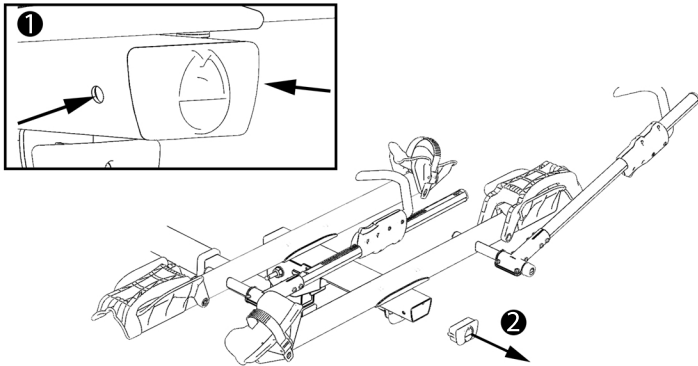


J (1x)

Assembly Instructions

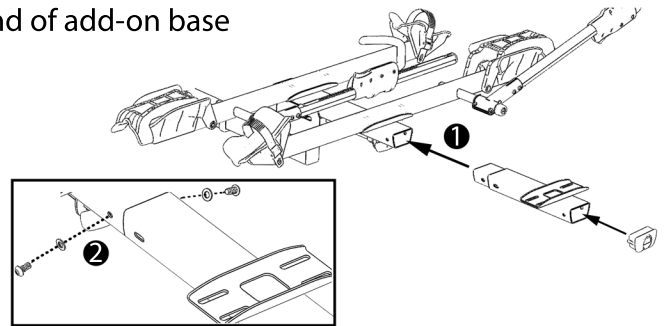
1 Remove End Cap

Depress tabs and pull end cap out



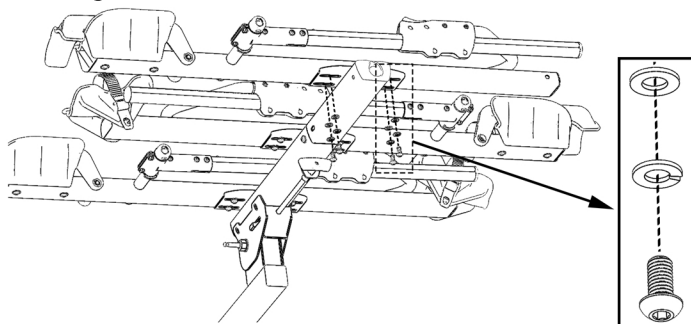
2 Install Add-On Base

Insert add-on base into main base. Install two M8x16 bolts with two M8 flat washers. Reinstall end cap onto end of add-on base



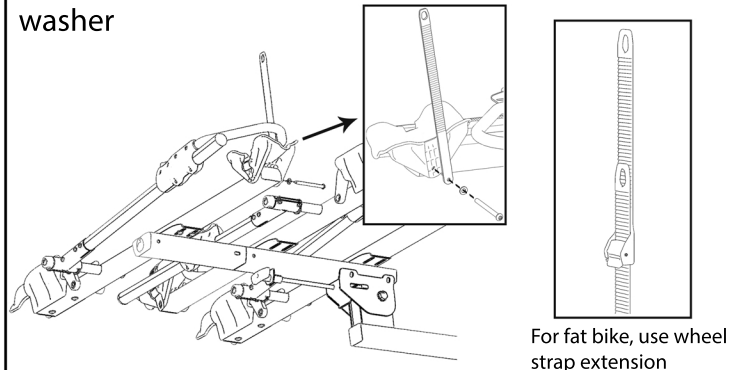
3 Install Wheel Tray

Place wheel tray on the add-on base with load arm facing out. Install four M8x16 bolts with M8 washers through slots under add-on base



4 Install Wheel Cup

Install wheel cup (buckle faces out) and wheel strap onto end of wheel tray with M8X90 bolt and M8 flat washer



Warnings

- Not compatible with 1-1/4" MonoRail or BackStage.
- Do not use with Class 1 hitches.
- Remove Baby Seats, Panniers, U-Locks, or items that could detach from the bicycle.
- Do not use bicycle covers, bicycle bras, or bikes equipped with rear disc wheel.
- Not intended for off road use. Not intended for use on trailers or towed vehicles.
- Locks are only deterrents to thieves, RockyMounts™, Inc. cannot be held liable for stolen bicycles.
- Remove rack before entering a car wash.
- Check all fastenings (nuts, bolts, straps, and skewer) before each use.
- Once a year, remove rack from car. Clean and inspect for damage.

Lifetime Warranty

Thank you for purchasing a RockyMounts™ product. We take pride in providing a great customer experience and manufacturing products that enable our customers to get their gear to their next colorful adventure.

As of January 1, 2014, RockyMounts™ products are covered for life to the original purchaser when used in accordance with the instruction manuals' assembly, installation and use guidelines.

If you feel something broke before it's time; please email us at ride@rockymounts.com or call us at 800.873.1871. For the most efficient service, email a digital photo (we need this photo to verify the problem) of the product in questions, a brief description of the situation, and your purchase receipt. Our techs will respond within one business day. Most of the time we'll replace the part in question, but we may ask for more details.

RockyMounts™, Inc. warranty only covers RockyMounts™, Inc. products. It does not cover theft, or damage to vehicles and/or equipment. All products purchased prior to Jan 1, 2014 are covered by a one-year warranty; see your product manual for details.