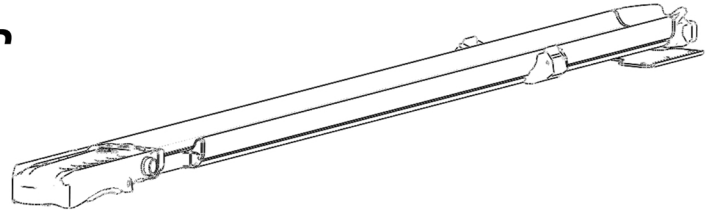




rockymounts™ SwitchHitter



Guidelines

This carrier is intended for SQUARE, ROUND, and SLOTTED crossbars (RockyMounts™ Ouray, Thule™ AeroBlade, Yakima™ Whipbar & JetStream, Rhino Rack™ Vortex, Audi™, BMW™, Mini™, Porsche™, VW™, & Volvo™). Use on other bars is not covered under our warranty.
 Crossbar spread: minimum 16" (41cm), maximum 48" (122cm).
 Do not exceed the load capacity of your vehicle's roof rack.
 Bicycle weight limit: 35lbs (16kg) factory, 45lbs (20kgs) RockyMounts™, Thule™, Yakima™, & Rhino Rack™ crossbars.
 Forks equipped with carbon fiber dropouts or forks without safety tabs are not covered under warranty.
 Some thru-axles enter from the left and some from the right. Position rack accordingly for easiest access.

Parts Included

- | | | | |
|--------------------------|--------------------------------|-------------------------|--------------------------|
| A: Head Assembly | G: Torx T30 Wrench | M: Wheel Strap Assembly | S: Rear Bracket Assembly |
| B: Wheel Tray | H: M6x22 Bolt | N: Nylon Spacer | |
| C: Metal Plate | I: M6x8 Torx Bolt | O: M6x18 Bolt | |
| D: End Cap w/ Lock Cable | J: 15x110mm Axle | P: M6x10 Bolt | |
| E: 5mm Hex Wrench | K: 12x100mm Axle | Q: Flat Washer | |
| F: 4mm Hex Wrench | L: 9mm Quick Release w/ Sleeve | R: T-Slot Plate | |

***lock cores not included**
***15x100mm axle preinstalled**

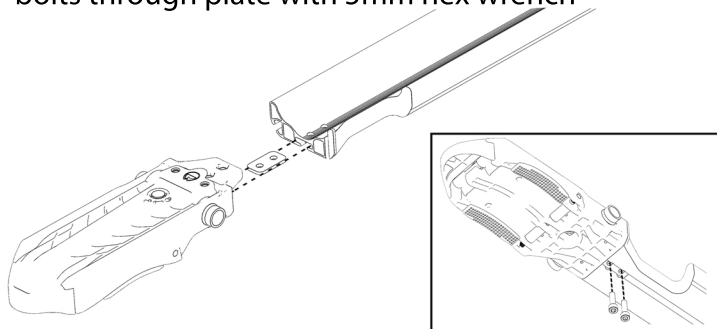
Slotted Crossbars

All Non-Slotted Crossbars

This package includes two mounting options after Step 1 and Step 2: Proceed to **"All Non-Slotted Crossbars"** if you have bars **without** center mounting slot (Thule™ square, Yakima™ round, & factory). Proceed to **"Slotted Crossbars"** if you have bars **with** center slot (RockyMounts™ Ouray, Thule™ AeroBlade, Yakima™ Whispbar & JetStream, Rhino Rack™ Vortex, BMW™, Audi™, Volvo™, Mercedes™, Porsche™, Mini™, & VW™).

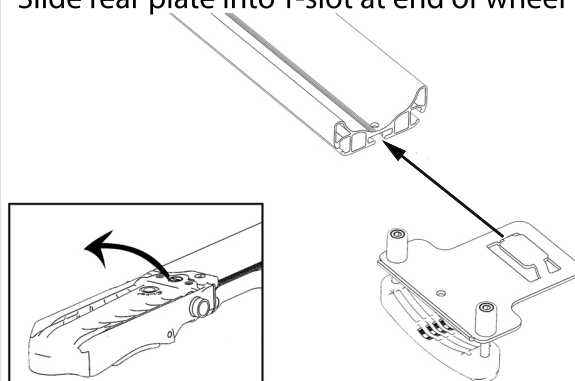
1 Install Head

Slide metal plate into slot at bottom of wheel tray. Align holes on head and wheel tray, install two M6x22 bolts through plate with 5mm hex wrench



2 Rear Plate & Top Cap

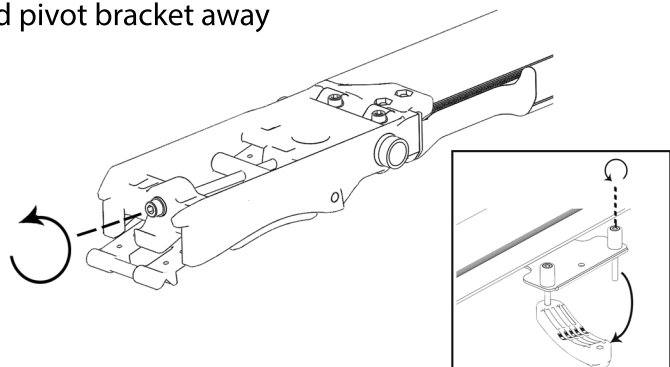
Remove top cap from head by lifting up finger tab. Slide rear plate into T-slot at end of wheel tray



CONTINUE HERE: ALL NON-SLOTTED CROSSBARS (Part 1)

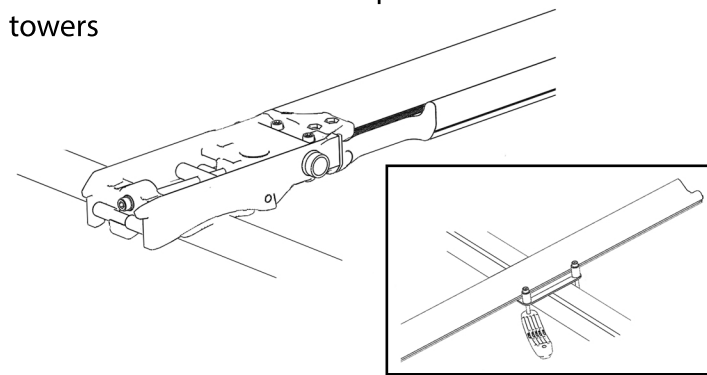
3 Loosen Strap

Loosen M6 bolt on head with 5mm hex wrench. Unhook strap. Loosen one M6 bolt on rear bracket and pivot bracket away



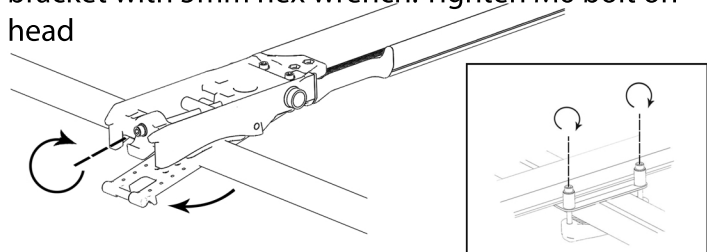
4 Position Rack

Place head onto front crossbar. Slide rear plate above rear crossbar. Rack must be positioned between towers



5 Install Rack

FIRST: Reattach strap around front crossbar, centering head over crossbar. NEXT: Pivot rear bracket to align with loosened bolt and tighten two M6 bolts on bracket with 5mm hex wrench. Tighten M6 bolt on head

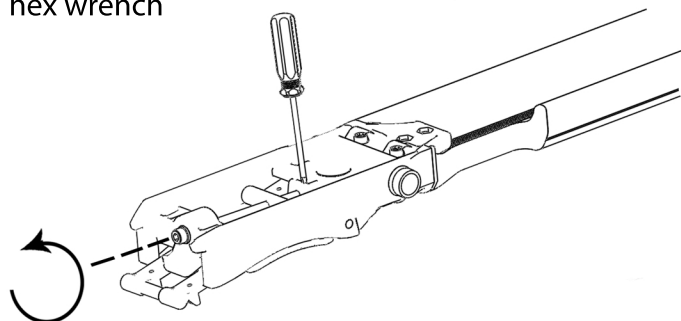


Proceed to ALL STYLES OF CROSSBARS (PART 2)

CONTINUE HERE: SLOTTED CROSSBARS (PART 1)

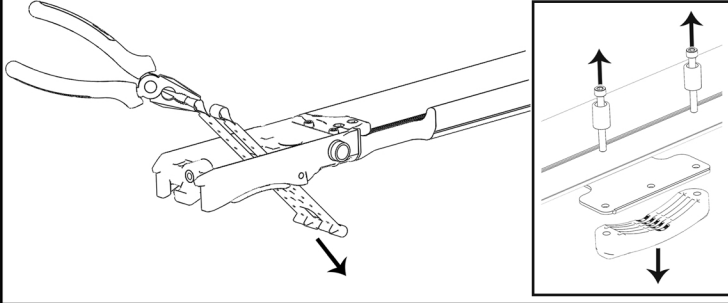
3 Remove Bolt

Remove M6 bolt by holding nut in place with flat head screwdriver and loosening M6 bolt with 5mm hex wrench



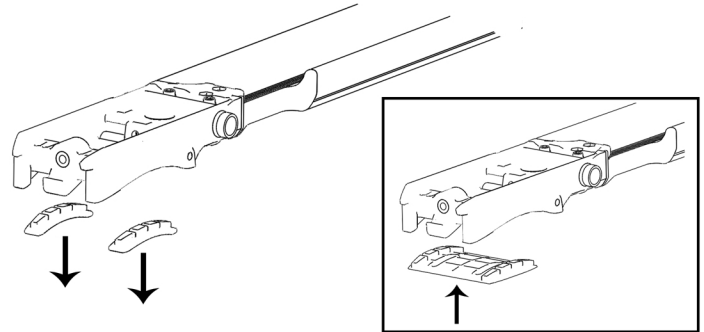
4 Remove Strap & Bracket

Remove steel rod from strap. Use pliers to flatten loops on strap and pull out from bottom of head. Remove two M6x55 bolts and spacers using 5mm hex wrench. Remove rear bracket from assembly



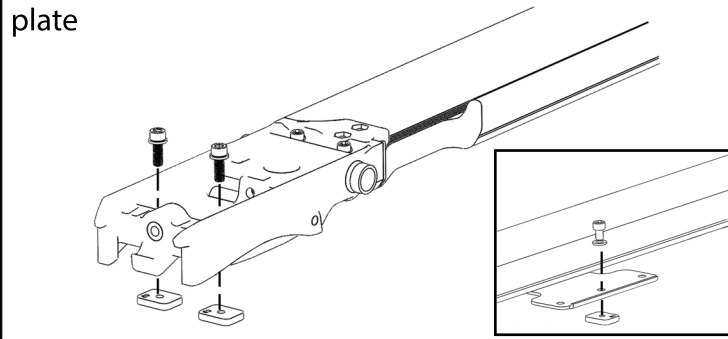
5 Install Plastic Spacer

Replace rubber pads with snap-in plastic spacer on bottom of head



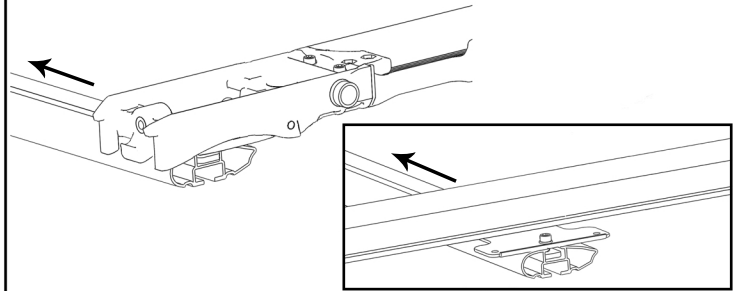
6 Install T-Slot Plates

Loosely install two #3 plates through two holes on head using two M6x18 bolts with washers. Use M6x10 bolt with washer to install remaining plate onto rear plate



7 Install Rack on Crossbars

Remove end caps and rubber stripping from crossbars. Simultaneously slide front and rear plates into t-slot in crossbars. Position rack and securely tighten all three bolts

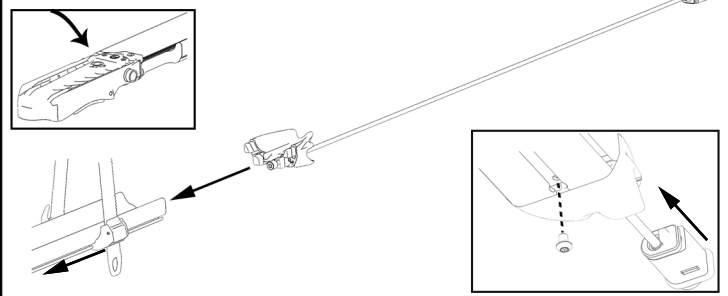


Proceed to ALL STYLES OF CROSSBARS (PART 2)

ALL STYLES OF CROSSBARS (PART 2)

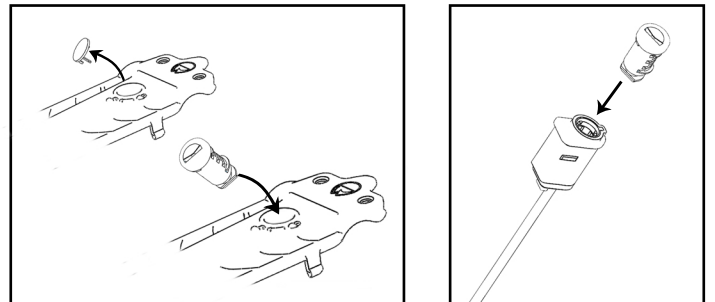
8 Install End Cap & Top Cap

Slide wheel strap assembly onto sides of tray with buckle facing out. Press in end cap at end of tray, install M6x8 bolt with Torx wrench. Feed cable into tray and press lock housing in place. Install top cap to head



9 Lock Cores (Not Included)

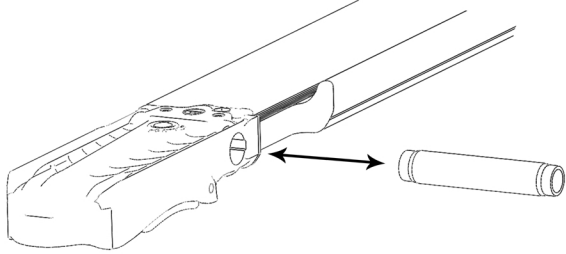
Remove plastic cap on top cap using key. Insert key into core and line up large protruding metal wafer between tabs in housing. Install lock cores



LOADING BIKE

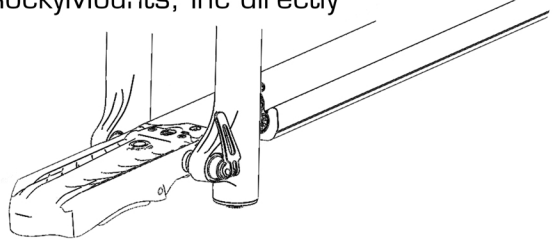
1 Install Axle

Determine bike axle size and install corresponding axle, centering in head, by loosening M5 bolts with 4mm hex wrench. 15x100 axle comes preinstalled. For 9mm QR, install QR into 15x100 axle



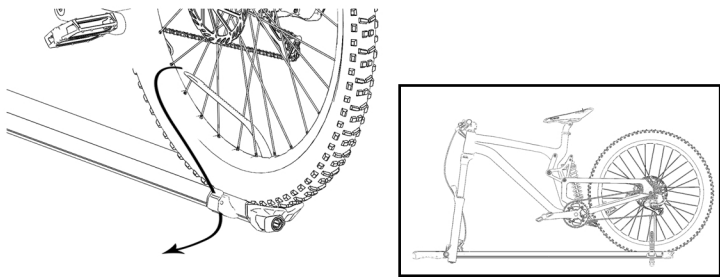
2 Load Bike

Remove front wheel and place bike onto rack with fork dropouts securely seated on axle. Install thru axle or tighten QR and secure bike by closing QR handle (QR should close with tension). If you are unsure, please consult your local dealer or RockyMounts, Inc directly



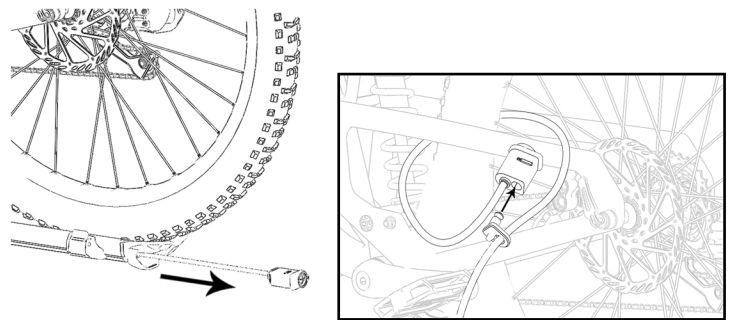
3 Secure Rear Wheel & Bike

Feed rear wheel strap through rear wheel into buckle and pull tight. Double check bike is secure by rocking bike back and forth. Fork and wheel should be properly seated and not move



4 Locking Bike

Pull cable out from rear end cap. Feed cable through rear triangle of bike and lock cable to metal boss



Warnings

- Remove Baby Seats, Panniers, U-Locks, or items that could detach from the bicycle.
- Do not use bicycle covers, bicycle bras, or bikes equipped with rear disc wheel.
- Not intended for off road use. Not intended for use on trailers or towed vehicles.
- Locks are only deterrents to thieves, RockyMounts, Inc. cannot be held liable for stolen bicycles.
- Remove rack before entering a car wash.
- Check all fastenings (nuts, bolts, straps, and skewer) before each use.
- Once a year, remove rack from car. Clean and inspect for damage.
- Lubricate Quick Release every 1-2 months using chain lube or oil.
- Dust and dirt can build up over time in Quick Release. If QR begins to stick, lubricate immediately.
- Do not mount vertically.

Lifetime Warranty

Thank you for purchasing a RockyMounts™ product. We take pride in providing a great customer experience and manufacturing products that enable our customers to get their gear to their next colorful adventure.

As of January 1, 2014, RockyMounts™ products are covered for life to the original purchaser when used in accordance with the instruction manuals' assembly, installation and use guidelines.

If you feel something broke before it's time; please email us at ride@rockymounts.com or call us at 800.873.1871. For the most efficient service, email a digital photo (we need this photo to verify the problem) of the product in questions, a brief description of the situation, and your purchase receipt. Our techs will respond within one business day. Most of the time we'll replace the part in question, but we may ask for more details.

RockyMounts, Inc. warranty only covers RockyMounts, Inc. products. It does not cover theft, or damage to vehicles and/or equipment.

All products purchased prior to Jan 1, 2014 are covered by a one-year warranty; see your product manual for details.